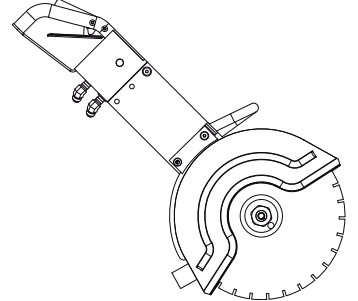


Spare parts list

Cut-off saws



Contents

General information.....	5
Spare parts list.....	6
LS 14.....	6
LS 16.....	10
Tightening torque.....	13
Diamond discs.....	14
Diamond discs for 355 mm and 405 mm cut-off saw.....	14
Diamond discs for 14 in. and 16 in. cut-off saw.....	14
Accessories.....	15
Hoses and couplings.....	15
Kits.....	16
Label kit, LS 14.....	16
Label kit, LS 16.....	16
LCS Cart kit.....	17
Water kit.....	18
Seal kit.....	19
Seal kit, LS 14.....	19
Seal kit, LS 16.....	20

General information

This spare parts list applies to the following:

Part number	Description
1809 0140 01	Cut-off saws LS 14
1809 0160 00	Cut-off saws LS 16

Use only authorized parts. Any damage or malfunction caused by the use of unauthorized parts is not covered by Warranty or Product Liability. Any unauthorized use or copying of the contents or any part thereof is prohibited. This applies in particular to trademarks, model denominations, part numbers, and drawings.

Instructions for use

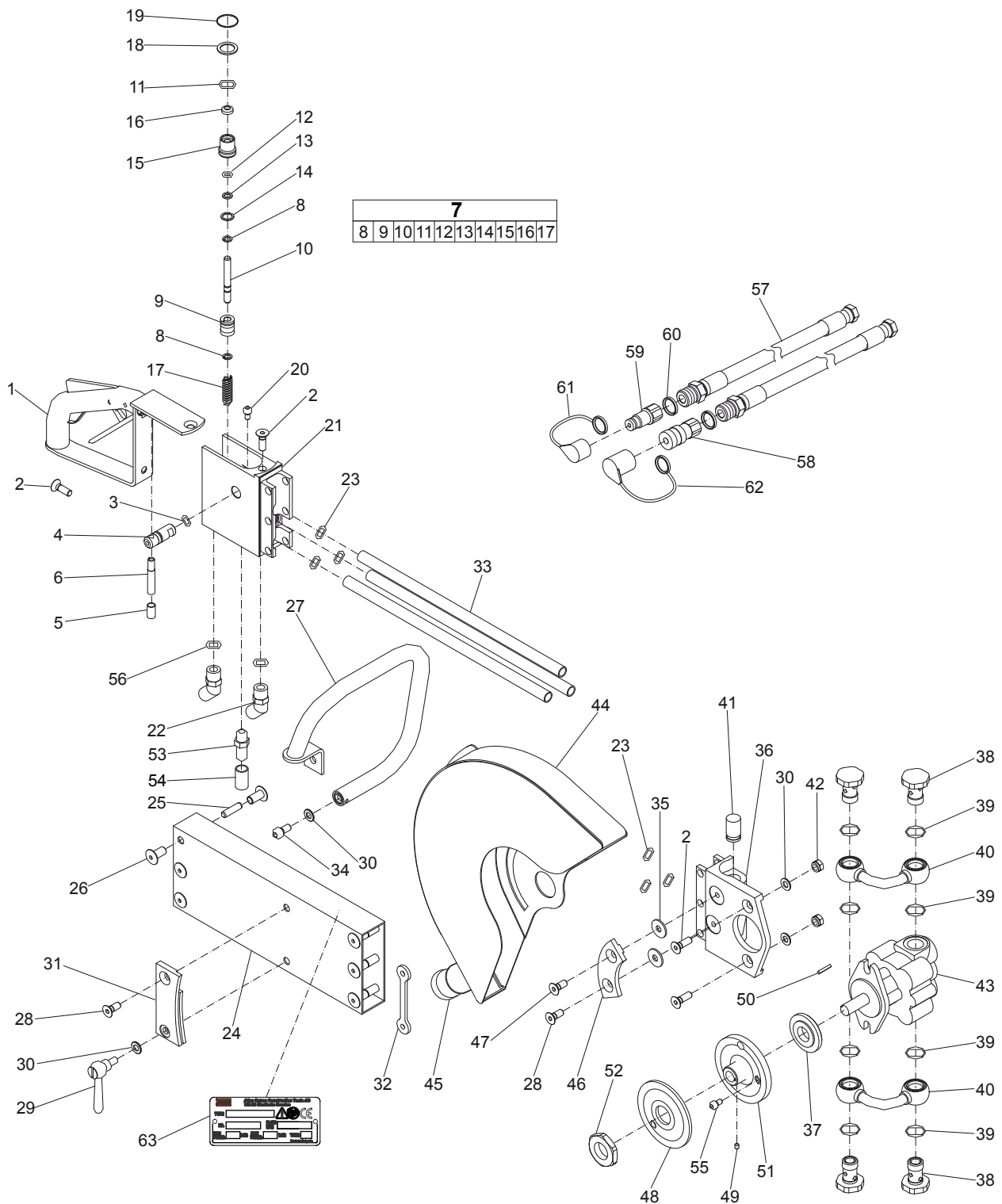
This spare parts list contains no safety regulations and is merely intended to assist in the ordering of spare parts.

For information about operating, servicing, or repairing, the relevant Safety and operating instructions must be consulted at all costs.

Please observe the safety instructions listed in the relevant Safety and operating instructions!

Spare parts list

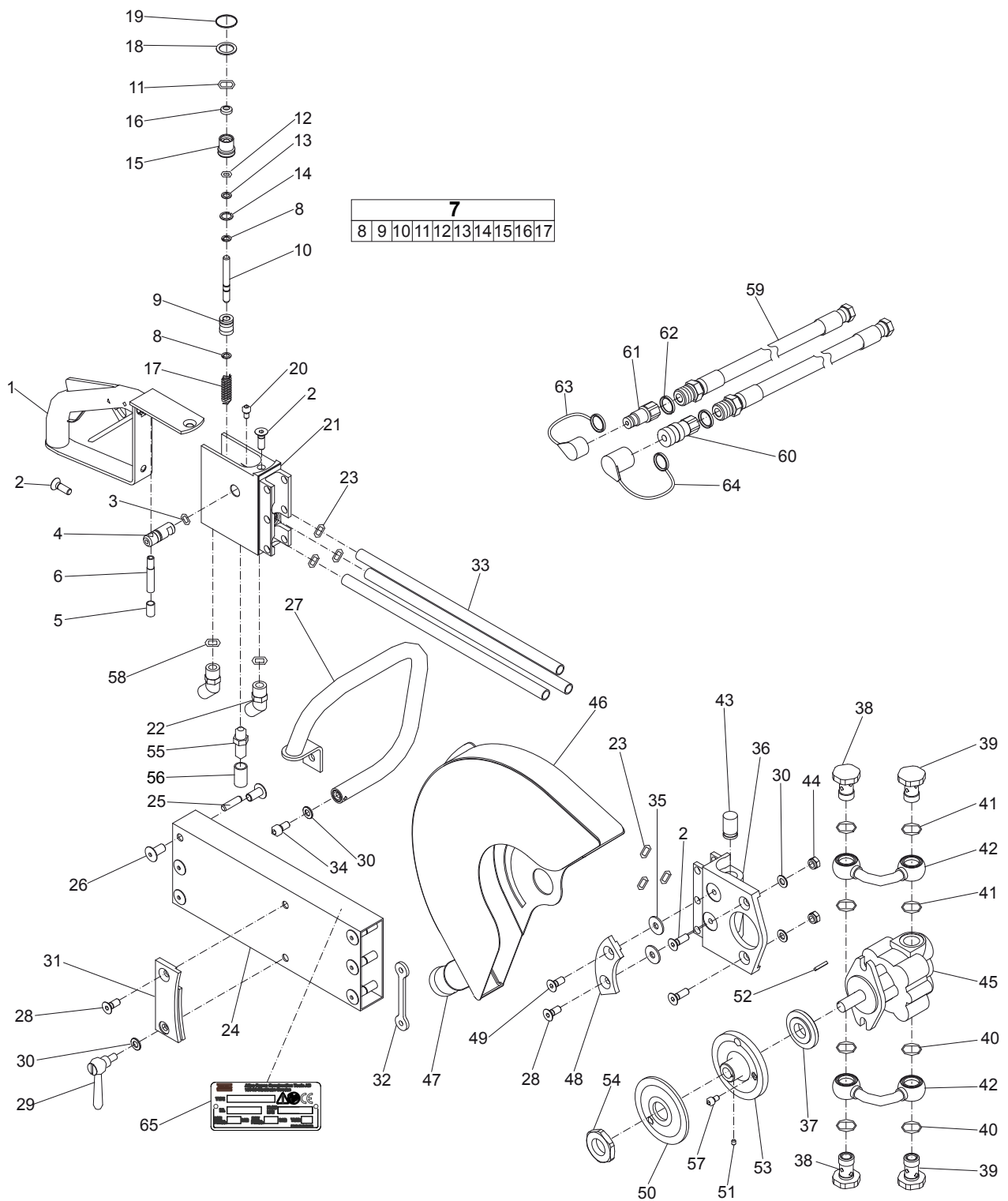
LS 14



No.	Description	Remark	Quantity	Part number
1	Grip		1	3371 8090 03
2	Screw	M8 x 25 mm	4	3371 8097 06
3	O-ring	11 x 2 mm 0.43 x 0.08 in.	1	3371 8097 29
4	Water valve		1	3371 8091 05
5	Tip	8 mm, black 0.31 in.	1	3371 8177 66
6	Roll pin	8 x 50 mm 0.31 x 1.97 in.	1	3371 8177 67
7(8-17)	Trigger, complete		1	3371 8140 58
8	Circlip	SW 8	2	3371 8147 32
9	Trigger spool		1	3371 8141 61
10	Trigger rod		1	3371 8151 66
11	O-ring	16.3 x 2.4 mm 0.64 x 0.09 in.	1	3371 8147 02
12	O-ring	8.3 x 2.4 mm 0.33 x 0.09 in.	1	3371 8147 00
13	Back-up ring	8/12 x 1.5 mm 0.31/0.47 x 0.06 in.	1	3371 8147 01
14	Circlip	SB 12	1	3371 8147 12
15	Packing gland		1	3371 8141 20
16	Seal	8/14 x 3.5/5 mm 0.31/0.55 x 0.14/0.20 in.	1	3371 8055 03
17	Spring		1	3371 8141 63
18	Back-up washer	18/25 x 1.5 mm 0.71/0.98 x 0.06 in.	1	3371 8097 00
19	Circlip	SB 25	1	3371 8097 01
20	Screw	M6 x 10 mm	1	3371 8177 28
21	Valve block		1	3371 8091 26
22	Nipple	3/8 in. BSP x 1/4 in. UNF 45° elbow	2	3371 8097 30
23	O-ring	14 x 2 mm 0.55 x 0.08 in.	6	3371 8187 05
24	Frame		1	3371 8091 19
25	Bushing	M8 x 20 mm, stainless	6	3371 8097 03
26	Screw	M8 x 30 mm	12	3377 1220 08
27	Front handle	Bow with rubber coating	1	3371 8090 27
28	Screw	M8 x 20 mm	3	3371 8097 05
29	Clamp screw		1	3371 8097 11
30	Washer	8 mm 0.31 in.	4	3377 0004 69
31	Brake shoe		1	3371 8091 30
32	Fastening plate		1	3371 8091 01
33	Hydraulic tube	14 x 1.5 mm 0.55 x 0.06 in.	3	3371 8091 45
34	Screw	M8 x 16 mm	1	3371 8055 04
35	Washer	8.4/24 x 2 mm, nylon 0.33/0.94 x 0.08 in.	2	3371 8097 10
36	Motor flange		1	3371 8091 17
37	Washer		1	3371 8091 22
38	Banjo bolt	3/4 in. UNF	4	3371 8091 48
39	O-ring	22 x 1.5 mm 0.87 x 0.06 in.	8	3371 8207 06
40	Banjo elbow		2	3371 8091 23
41	Check valve	6 bar 87 PSI	1	3371 8097 32
42	Nut	M8	2	3377 1110 08
43	Hydraulic motor	MGG 20	1	3378 0590 79

No.	Description	Remark	Quantity	Part number
44	Guard		1	3371 8091 18
45	Tip	38 mm 1.50 in.	1	3371 8097 47
46	Guard retainer		1	3371 8091 07
47	Screw	M8 x 20 mm	1	3371 8091 56
48	Washer	For adaptor	1	3371 8091 15
49	Screw	M5 x 6 mm	1	3378 0003 60
50	Parallel key	For MGG motor	1	3371 8097 31
51	Adaptor	For 14 in. and 16 in. discs	1	3371 8091 16
52	Counter nut	1 in. UNF - left	1	3371 8091 27
53	Hose fitting	¼ in. BSP M - ½ in. hose barb	1	3371 8097 46
54	Tip	13 mm 0.51 in.	1	3371 8097 50
55	Screw	M6 x 6 mm	1	3371 8097 12
56	O-ring	13.95 x 2.62 mm 0.549 x 0.10 in.	2	3371 8051 09
57	Tail hose	¾ in. Length = 2.0 m ¾ in. Length = 8.6 ft	2	3371 8090 21
58	Quick-release coupling	06 Female	1	3371 8051 37
59	Quick-release coupling	06 Male	1	3371 8051 38
60	Seal ring	Bonded seal ¾ in. BSP	2	3377 0163 75
61	Protective cap	¾ in. Male	1	3371 8057 28
62	Protective cap	¾ in. Female	1	3371 8057 27
63	Data plate		1	-

LS 16



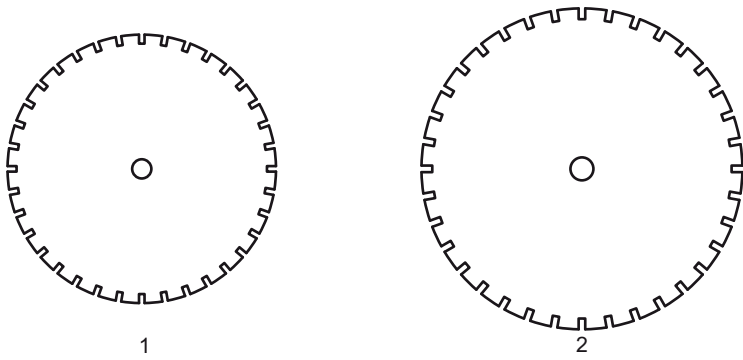
No.	Description	Remark	Quantity	Part number
1	Grip		1	3371 8090 03
2	Screw	M8 x 25 mm	4	3371 8097 06
3	O-ring	11 x 2 mm 0.43 x 0.08 in.	1	3371 8097 29
4	Water valve		1	3371 8091 05
5	Tip	8 mm, black 0.31 in.	1	3371 8177 66
6	Roll pin	8 x 50 mm 0.31 x 1.97 in.	1	3371 8177 67
7(8-17)	Trigger, complete		1	3371 8140 58
8	Circlip	SW 8	2	3371 8147 32
9	Trigger spool		1	3371 8141 61
10	Trigger rod		1	3371 8151 66
11	O-ring	16.3 x 2.4 mm 0.64 x 0.09 in.	1	3371 8147 02
12	O-ring	8.3 x 2.4 mm 0.33 x 0.09 in.	1	3371 8147 00
13	Back-up ring	8/12 x 1.5 mm 0.31/0.47 x 0.06 in.	1	3371 8147 01
14	Circlip	SB 12	1	3371 8147 12
15	Packing gland		1	3371 8141 20
16	Seal	8/14 x 3.5/5 mm 0.31/0.55 x 0.14/0.20 in.	1	3371 8055 03
17	Spring		1	3371 8141 63
18	Back-up washer	18/25 x 1.5 mm 0.71/0.98 x 0.06 in.	1	3371 8097 00
19	Circlip	SB 25	1	3371 8097 01
20	Screw	M6 x 10 mm	1	3371 8177 28
21	Valve block		1	3371 8091 26
22	Nipple	¾ in. BSP x ¼ in. UNF 45° elbow	2	3371 8097 30
23	O-ring	14 x 2 mm 0.55 x 0.08 in.	6	3371 8187 05
24	Frame		1	3371 8091 60
25	Bushing	M8 x 20 mm, stainless	6	3371 8097 03
26	Screw	M8 x 30 mm	12	3377 1220 08
27	Front handle	Bow with rubber coating	1	3371 8090 27
28	Screw	M8 x 20 mm	3	3371 8097 05
29	Clamp screw		1	3371 8097 11
30	Washer	8 mm 0.31 in.	4	3377 0004 69
31	Brake shoe		1	3371 8091 30
32	Fastening plate		1	3371 8091 01
33	Hydraulic tube	14 x 1.5 mm 0.55 x 0.06 in.	3	3371 8091 61
34	Screw	M8 x 16 mm	1	3371 8055 04
35	Washer	8.4/24 x 2 mm, nylon 0.33/0.94 x 0.08 in.	2	3371 8097 10
36	Motor flange		1	3371 8091 17
37	Washer		1	3371 8091 22
38	Banjo bolt	¾ in. UNF	2	3371 8091 48
39	Banjo bolt	¾ in. UNF	2	3371 8091 65
40	O-ring	22 x 1.5 mm 0.87 x 0.06 in.	4	3371 8207 06
41	O-ring	25 x 1.5 mm 0.98 x 0.06 in.	4	3371 8147 48
42	Banjo elbow		2	3371 8091 63

No.	Description	Remark	Quantity	Part number
43	Check valve	6 bar 87 PSI	1	3371 8097 32
44	Nut	M8	2	3377 1110 08
45	Hydraulic motor	MGG 25	1	3371 8092 24
46	Guard		1	3371 8091 41
47	Tip	38 mm 1.50 in.	1	3371 8097 47
48	Guard retainer		1	3371 8091 07
49	Screw	M8 x 20 mm	1	3371 8091 56
50	Washer	For adaptor	1	3371 8091 15
51	Screw	M5 x 6 mm	1	3378 0003 60
52	Parallel key	For MGG motor	1	3371 8097 31
53	Adaptor	For 14 in. and 16 in. discs	1	3371 8091 16
54	Counter nut	1 in. UNF - left	1	3371 8091 27
55	Hose fitting	¼ in. BSP M - ½ in. hose barb	1	3371 8097 46
56	Tip	13 mm 0.51 in.	1	3371 8097 50
57	Screw	M6 x 6 mm	1	3371 8097 12
58	O-ring	13.95 x 2.62 mm 0.549 x 0.10 in.	2	3371 8051 09
59	Tail hose	¾ in. Length = 2.0 m ¾ in. Length = 8.6 ft	2	3371 8090 21
60	Quick-release coupling	06 Female	1	3371 8051 37
61	Quick-release coupling	06 Male	1	3371 8051 38
62	Seal ring	Bonded seal ¾ in. BSP	2	3377 0163 75
63	Protective cap	¾ in. Male	1	3371 8057 28
64	Protective cap	¾ in. Female	1	3371 8057 27
65	Data plate		1	-

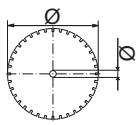
Tightening torque

Description	Tightening torque (Nm)	Remark	Part number
Screw	20	M8 x 25 mm	3371 8097 06
Screw	8	M6 x 10 mm	3371 8177 28
Nipple	40	3/8 in. BSP x 3/4 in. UNF 45° elbow	3371 8097 30
Screw	20	M8 x 30 mm	3377 1220 08
Screw	20	M8 x 20 mm	3371 8097 05
Screw	20	M8 x 16 mm	3371 8055 04
Banjo bolt	40	3/4 in. UNF	3371 8091 48
Screw	20	M8 x 20 mm	3371 8091 56
Screw	5	M5 x 6 mm	3378 0003 60
Screw	8	M6 x 6 mm	3371 8097 12
Tail hose	40	3/8 in. Length = 2.0 m 3/8 in. Length = 8.6 ft	3371 8090 21
Quick-release coupling	40	06 Female	3371 8051 37
Quick-release coupling	40	06 Male	3371 8051 38

Diamond discs

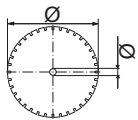


Diamond discs for 355 mm and 405 mm cut-off saw



No.	Description	Blade diameter (mm)	Hole diameter (mm)	Weight (kg)	Remark	Part number
1	Concrete diamond disc	355	25.1	1.6	For wet and dry cutting of concrete and concrete reinforcement.	3378 0050 57
2	Concrete diamond disc	405	25.1	2.3	For wet and dry cutting of concrete and concrete reinforcement.	3371 8097 27
1	Asphalt diamond disc	355	25.1	1.6	For wet and dry cutting of asphalt.	3378 0050 58
2	Asphalt diamond disc	405	25.1	2.3	For wet and dry cutting of asphalt.	3371 8097 26

Diamond discs for 14 in. and 16 in. cut-off saw



No.	Description	Blade diameter (in.)	Hole diameter (in.)	Weight (lb)	Remark	Part number
1	Concrete diamond disc	14	1	3.5	For wet and dry cutting of concrete and concrete reinforcement.	3378 0050 57
2	Concrete diamond disc	16	1	5.1	For wet and dry cutting of concrete and concrete reinforcement.	3371 8097 27
1	Asphalt diamond disc	14	1	3.5	For wet and dry cutting of asphalt.	3378 0050 58
2	Asphalt diamond disc	16	1	5.1	For wet and dry cutting of asphalt.	3371 8097 26

Accessories

Hoses and couplings

Description	Remark	Quantity	Part number
Connection hose, complete	Ø ½ in. L = 1.3 ft Ø 12.5 mm L = 0.4 m	1	3371 8010 83
Hose	Ø ½ in. L = 1.3 ft Ø 12.5 mm L = 0.4 m	2	3371 8030 50
Seal ring	Bonded seal ½ in. BSP	2	3371 8057 14
Quick-release coupling	Female ½ in. BSP	1	3371 8051 33
Quick-release coupling	Male ½ in. BSP	1	3371 8051 34
Protective cap	Female	1	3371 8057 33
Protective cap	Male	1	3371 8057 32
Twin hose, complete	Ø ½ in. L = 23 ft Ø 12.5 mm L = 7 m	1	3371 8010 87
Seal ring	Bonded seal ½ in. BSP	4	3371 8057 14
Quick-release coupling	Female ½ in. BSP	2	3371 8051 33
Quick-release coupling	Male ½ in. BSP	2	3371 8051 34
Protective cap	Female	2	3371 8057 33
Protective cap	Male	2	3371 8057 32
Twin hose	Ø ½ in. L = 23 ft Ø 12.5 mm L = 7 m	1	3371 8030 52
Connection hose, complete	Ø ½ in. L = 5.2 ft Ø 12.5 mm L = 1.6 m	1	3371 8011 90
Hose	Ø ½ in. L = 5.2 ft Ø 12.5 mm L = 1.6 m	2	3371 8030 64
Seal ring	Bonded seal ½ in. BSP	2	3371 8057 14
Quick-release coupling	Female ½ in. BSP	1	3371 8051 33
Quick-release coupling	Male ½ in. BSP	1	3371 8051 34
Protective cap	Female	1	3371 8057 33
Protective cap	Male	1	3371 8057 32
Label "P"	Pressure side	1	3371 8021 15
Twin extension hose for direct mounting, complete	Ø ¾ in. L = 16.4 ft Ø 9.5 mm L = 5 m	1	3371 8010 90
Twin hose	Ø ¾ in. L = 16.4 ft Ø 9.5 mm L = 5 m	1	3371 8030 54
Quick-release coupling	Female ½ in.	1	3371 8051 33
Quick-release coupling	Male ½ in.	1	3371 8051 34
Bonded seal	½ in.	2	3371 8057 14
Protective cap	Female ½ in.	1	3371 8057 33
Protective cap	Male ½ in.	1	3371 8057 32
Twin extension hose	Ø ½ in. L = 39.3 ft Ø 12.5 mm L = 12 m	1	3371 8010 89
Twin hose	Ø ½ in. L = 39.3 ft Ø 12.5 mm L = 12 m	1	3371 8030 53
Quick-release coupling	Female ½ in.	2	3371 8051 33
Quick-release coupling	Male ½ in.	2	3371 8051 34
Bonded seal	½ in.	4	3371 8057 14
Protective cap	Female ½ in.	2	3371 8057 33
Protective cap	Male ½ in.	2	3371 8057 32

Kits

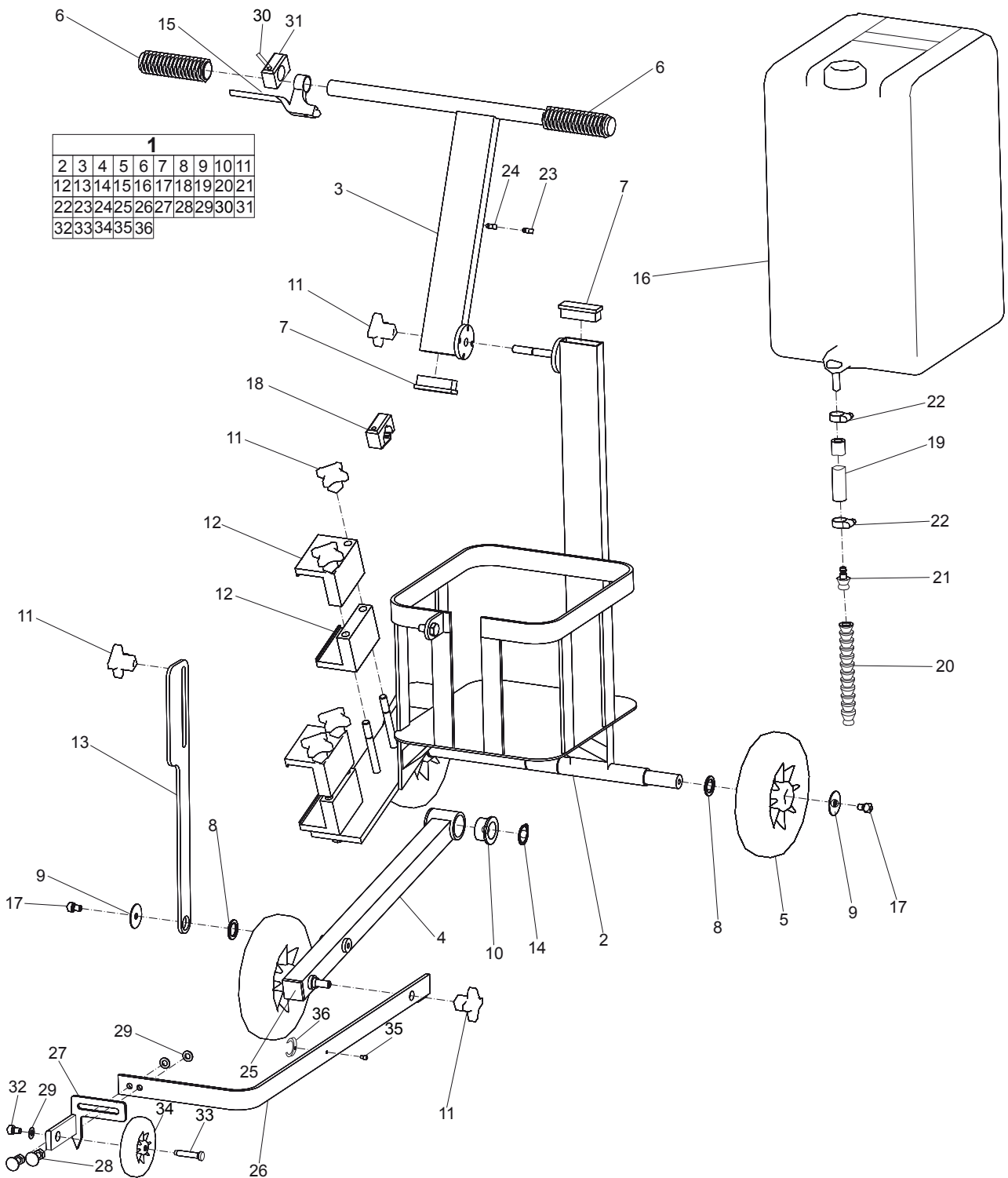
Label kit, LS 14

Description	Remark	Quantity	Part number
Label kit		1	3371 8090 12
Label	Direction of rotation	1	3371 8972 57
Label	rpm 14 in.	1	3371 8972 51
Safety label		1	3371 8960 61
Product label	"Atlas Copco"	1	3371 8960 97
Label	Water open	1	3371 8960 43
Label	Water closed	1	3371 8960 44
Label	EHTMA C	1	3371 8960 47
Label	EHTMA D	1	3371 8960 48
Label	P	1	3371 8021 15
Safety label		1	3371 8960 41
Product label	"LS 14"	1	3371 8970 84
Noise level label		1	3371 8960 02

Label kit, LS 16

Description	Remark	Quantity	Part number
Label kit		1	3371 8090 13
Label	Direction of rotation	1	3371 8972 57
Label	rpm 16 in.	1	3371 8972 52
Safety label		1	3371 8960 61
Product label	"Atlas Copco"	1	3371 8960 97
Label	Water open	1	3371 8960 43
Label	Water closed	1	3371 8960 44
Label	EHTMA C	1	3371 8960 47
Label	EHTMA D	1	3371 8960 48
Label	EHTMA E	1	3371 8960 49
Label	P	1	3371 8021 15
Safety label		1	3371 8960 40
Product label	"LS 16"	1	3371 8970 85
Noise level label		1	3371 8960 03

LCS Cart kit



No.	Description	Remark	Quantity	Part number
1(2-36)	LCS Cart kit		1	1809 0010 01
2	Cart frame		1	3371 8090 23
3	Handle frame		1	3371 8090 25
4	Arm		1	3371 8090 24
5	Wheel	180 mm 7.09 in.	3	3371 8097 17

No.	Description	Remark	Quantity	Part number
6	Rubber handle		2	3377 0053 07
7	Plastic tip	60 x 20 mm 2.36 x 0.79 in.	2	3371 8097 13
8	Washer	20/28 x 1 mm 0.79/1.10 x 0.04 in.	4	3371 8097 14
9	Washer	5/16 x 35 x 1.25 mm 0.20/0.63 x 1.38 x 0.05 in.	4	3371 8097 15
10	Nylon bushing	RI 5070	2	3371 8097 16
11	Cross grip	M10	7	3371 8097 18
12	Clip	Plastic	4	3371 8092 08
13	Adjusting arm	With ruler	1	3371 8092 29
14	Circlip	25 x 1.2 mm 0.98 x 0.05 in.	2	3371 8097 20
15	Trigger	Bicycle type	1	3371 8097 21
16	Water tank		1	3371 8097 22
17	Screw	M8 x 10 mm	4	3378 3025 16
18	Cable, complete		1	3371 8090 05
19	Hose	0.45 m 1.48 ft	1	3371 8092 40
20	Modular hose lock-line	¼ in. Length = 314 mm ¼ in. Length = 12.36 in.	1	3371 8097 65
21	Connector	Male NPT ¼ in.	1	3371 8097 66
22	Hose clip	13/20 mm 0.51/0.79 in.	2	3377 0004 28
23	Screw	M3 x 6 mm	1	3371 8157 39
24	Cable bow	NX 1	1	3371 8097 54
25	Plastic tip	30 x 30 mm 1.18 x 1.18 in.	1	3371 8097 51
26	Steering rod		1	3371 8090 30
27	Pointer		1	3371 8092 31
28	Screw with nut	M8	2	3371 8097 61
29	Washer	8 mm 0.31 in.	3	3377 0004 69
30	Screw	M10	1	3371 8097 59
31	Safety trigger		1	3371 8090 32
32	Screw	M8 x 20 mm	1	3376 1005 88
33	Axel		1	3371 8092 39
34	Safety wheel		1	3371 8097 67
35	Rivet		1	4700 9048 56
36	Spring clip		1	3371 8097 58

Water kit

Description	W x H x D (mm)	Water volume (l)	Weight (kg)	Remark	Part number
Water kit with tank	220 x 620 x 250	10	8	Water supply for LS cut-off saw.	3371 8090 02

Description	W x H x D (in.)	Water volume (gal)	Weight (lb)	Remark	Part number
Water kit with tank	9 x 24 x 10	2.6	18	Water supply for LS cut-off saw.	3371 8090 02

Seal kit

Description	Remark	Quantity	Part number
Seal kit	For MGG motor	1	3378 0999 07

Seal kit, LS 14

Description	Remark	Quantity	Part number
Seal kit		1	3371 8090 10
O-ring	11 x 2 mm 0.43 x 0.08 in.	1	3371 8097 29
Circlip	SW 8	2	3371 8147 32
O-ring	16.3 x 2.4 mm 0.64 x 0.09 in.	1	3371 8147 02
O-ring	8.3 x 2.4 mm 0.33 x 0.09 in.	1	3371 8147 00
Back-up ring	8/12 x 1.5 mm 0.31/0.47 x 0.06 in.	1	3371 8147 01
Circlip	SB 12	1	3371 8147 12
Seal	8/14 x 3.5/5 mm 0.31/0.55 x 0.14/0.20 in.	1	3371 8055 03
Back-up washer	18/25 x 1.5 mm 0.71/0.98 x 0.06 in.	1	3371 8097 00
Circlip	SB 25	1	3371 8097 01
O-ring	14 x 2 mm 0.55 x 0.08 in.	6	3371 8187 05
O-ring	22 x 1.5 mm 0.87 x 0.06 in.	8	3371 8207 06
O-ring	13.95 x 2.62 mm 0.549 x 0.10 in.	2	3371 8051 09
Seal kit	For MGG motor	1	3378 0999 07

Seal kit, LS 16

Description	Remark	Quantity	Part number
Seal kit		1	3371 8090 11
O-ring	11 x 2 mm 0.43 x 0.08 in.	1	3371 8097 29
Circlip	SW 8	2	3371 8147 32
O-ring	16.3 x 2.4 mm 0.64 x 0.09 in.	1	3371 8147 02
O-ring	8.3 x 2.4 mm 0.33 x 0.09 in.	1	3371 8147 00
Back-up ring	8/12 x 1.5 mm 0.31/0.47 x 0.06 in.	1	3371 8147 01
Circlip	SB 12	1	3371 8147 12
Seal	8/14 x 3.5/5 mm 0.31/0.55 x 0.14/0.20 in.	1	3371 8055 03
Back-up washer	18/25 x 1.5 mm 0.71/0.98 x 0.06 in.	1	3371 8097 00
Circlip	SB 25	1	3371 8097 01
O-ring	14 x 2 mm 0.55 x 0.08 in.	6	3371 8187 05
O-ring	22 x 1.5 mm 0.87 x 0.06 in.	4	3371 8207 06
O-ring	25 x 1.5 mm 0.98 x 0.06 in.	4	3371 8147 48
O-ring	13.95 x 2.62 mm 0.549 x 0.10 in.	2	3371 8051 09
Seal kit	For MGG motor	1	3378 0999 07



Any unauthorized use or copying of the contents or any part thereof is prohibited.
This applies in particular to trademarks, model denominations, part numbers, and drawings.

© 2011 Atlas Copco Construction Tools AB | No. 3392 5043 01c | 2011-09-30